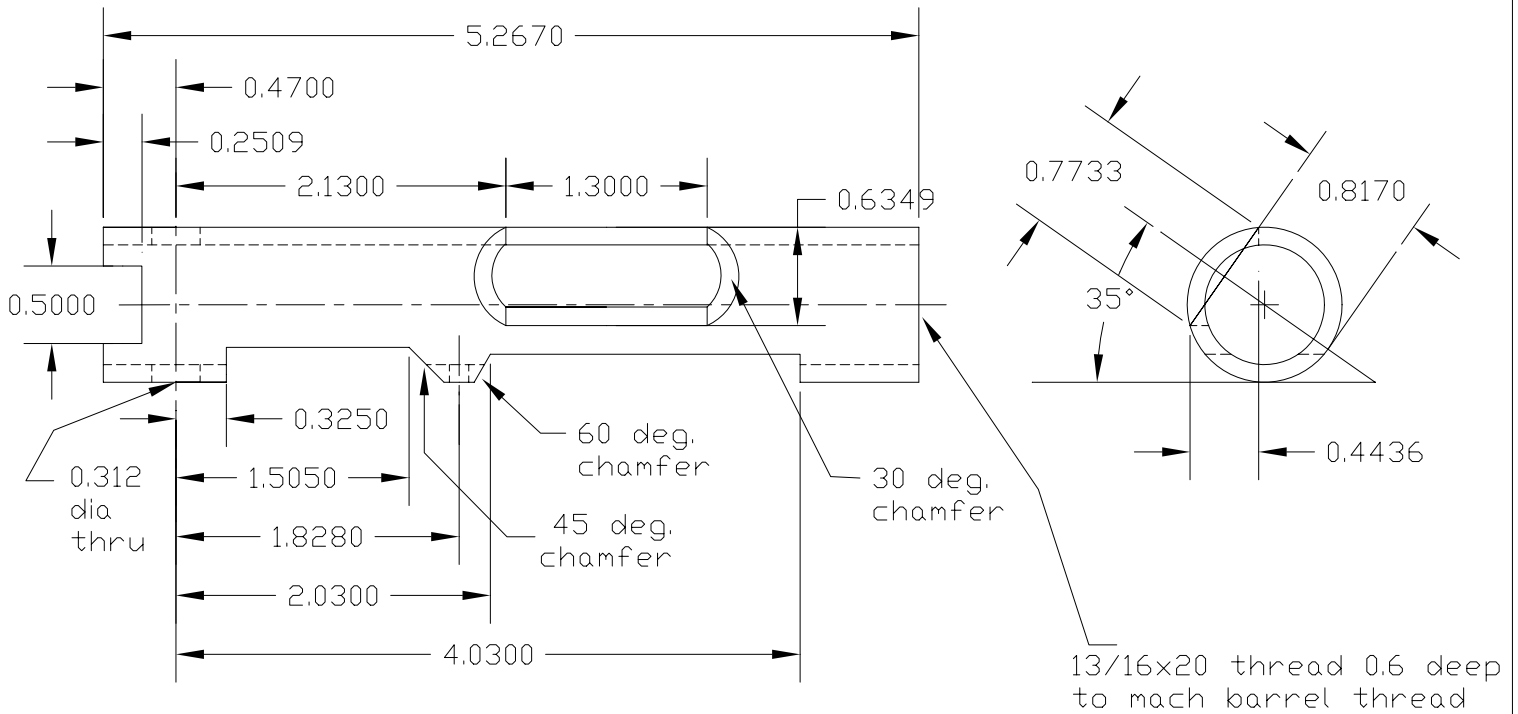


Ruger MK I Receiver

Material: 1x 0.125 wall DOM Steel tubing.
 1x 0.120 wall tubing should work OK.



Ruger MK I Receiver
 Material: 1x0.125 wall DOM Steel Tubing.
 1x0.120 wall tubing should work OK.