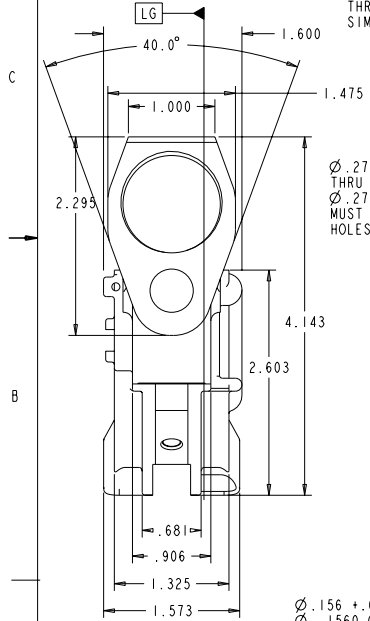
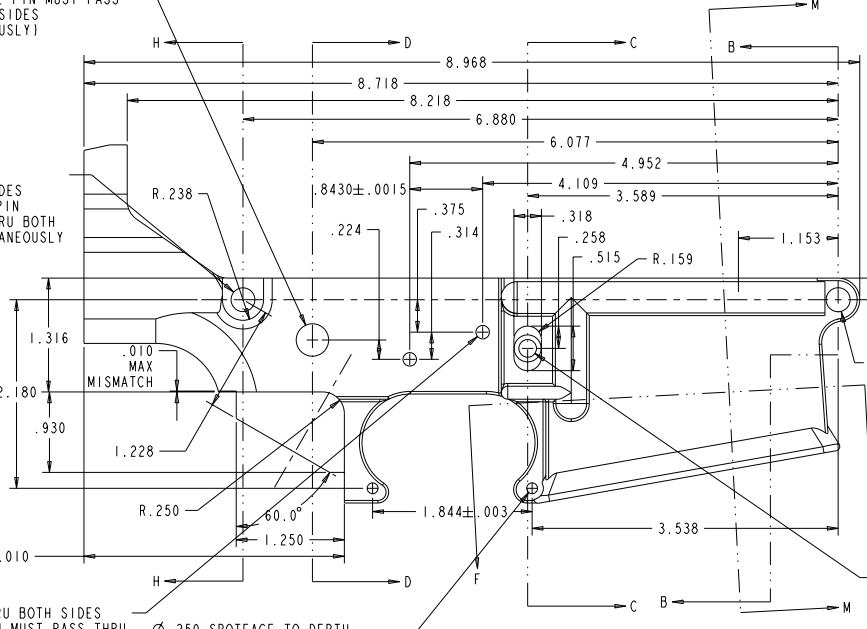
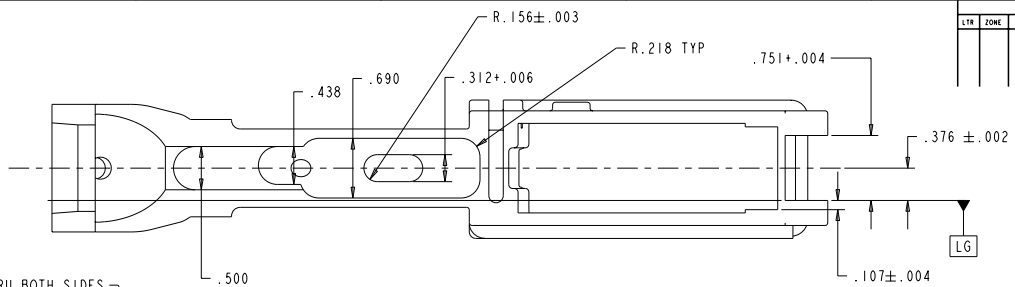


Ø .375±.002 THRU BOTH SIDES
Ø .375 GAGE PIN MUST PASS
THRU BOTH SIDES
SIMULTANEOUSLY

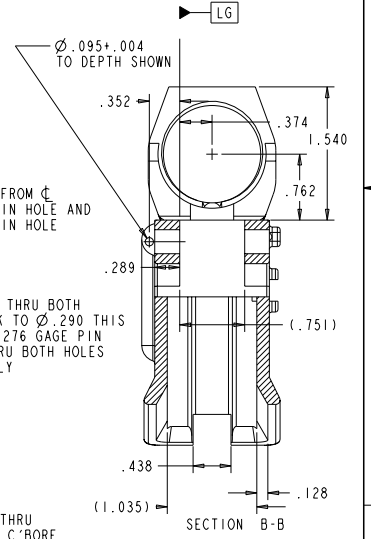
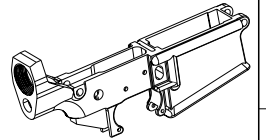


Ø .277 ±.001
THRU BOTH SIDES
Ø .276 GAGE PIN
MUST PASS THRU BOTH
HOLES SIMULTANEOUSLY

Ø .156 ±.0015 THRU BOTH SIDES
Ø .1560 GAGE PIN MUST PASS THRU
BOTH SIDES SIMULTANEOUSLY,
2 PLACES

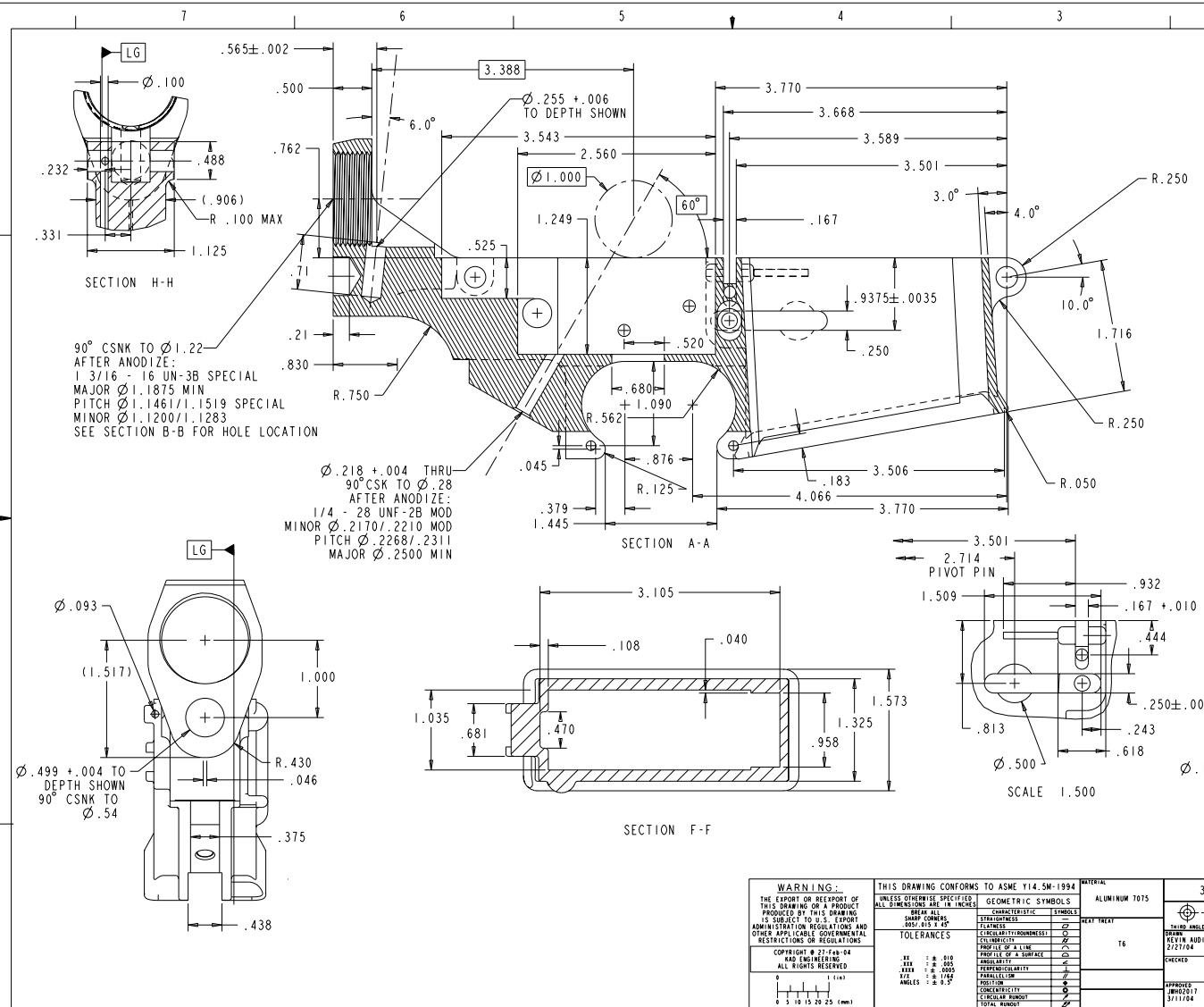


Ø.250 SPOTFACE TO DEPTH
SHOWN. Ø.125 ±.003 THRU THIS
SIDE ONLY. 90° CSNK TO Ø.150
MAX OPTIONAL

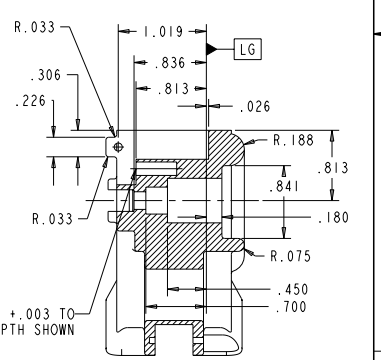
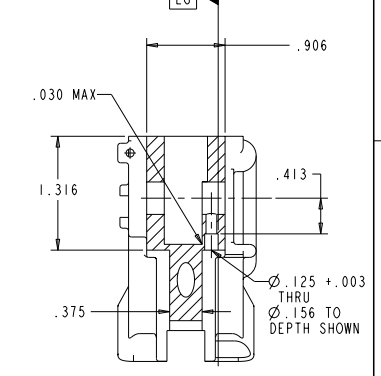


*** 3D MODELED BY JUSTIN "JWH02017" ***

<p>WARNING: THE EXPORT OR REEXPORT OF THIS DRAWING OR A PRODUCT PRODUCED BY THIS DRAWING IS SUBJECT TO U.S. EXPORT ADMINISTRATION REGULATIONS AND OTHER APPLICABLE GOVERNMENTAL RESTRICTIONS OR REGULATIONS.</p> <p>COPYRIGHT © 27-Feb-04 KAD ENGINEERING ALL RIGHTS RESERVED</p>	<p>THIS DRAWING CONFORMS TO ASME Y14.5M-1994</p> <p>UNLESS OTHERWISE SPECIFIED ALL DIMENSIONS ARE IN INCHES</p> <p>BREAK ALL SHARP CORNERS</p> <p>90° ± .45°</p>	<p>GEOMETRIC SYMBOLS</p> <p>CHARACTERISTIC SYMBOLS</p> <p>FINISHES</p> <p>EXTRUSIONS</p> <p>CYLINDRICITY/ROUNDNESS</p> <p>FLATNESS</p> <p>PROFILE OF A SURFACE</p> <p>IRREGULARITY</p> <p>PERPENDICULARITY</p> <p>PARALLELISM</p> <p>POSITION</p> <p>CONCENTRICITY</p> <p>CIRCULAR RUNOUT</p> <p>TOTAL RUNOUT</p>	<p>MATERIAL</p> <p>7075 ALUMINUM</p> <p>HEAT TREAT</p> <p>T6</p>	<p>3D</p> <p>THIRD ANGLE PROJECTION</p> <p>TITLE</p> <p>DRAWN: KEVIN AUBBERT 2/27/04</p> <p>CHECKED:</p> <p>APPROVED: JWH02017 03/11/04</p>	<p>KAD ENGINEERING</p> <p>KAD-10 RECEIVER, LOWER CALIBER 7.62 NATO/.308 WIN</p> <p>SIZE: D</p> <p>QTY: KAD-25</p> <p>SHEET 1 OF 2</p>
	<p>TOLENCES</p> <p>.XX ± .0000</p> <p>.XX ± .0000</p> <p>.XX ± .0000</p> <p>.XX ± .0000</p> <p>ANGLES ± .5°</p>			<p>SCALE:</p>	<p>REV A</p>



REVISIONS						
LT#	ZONE	DESCRIPTION	DATE	OWN	CHK	APPV



*** 3D MODELED BY JUSTIN "JWH02017" ***

<p>WARNING: THE EXPORT OR REEXPORT OF THIS DRAWING OR A PRODUCT PRODUCED BY THIS DRAWING IS SUBJECT TO U.S. EXPORT ADMINISTRATION REGULATIONS AND OTHER APPLICABLE GOVERNMENTAL RESTRICTIONS OR REGULATIONS.</p> <p>COPYRIGHT © 27-Feb-04 KAD ENGINEERING ALL RIGHTS RESERVED</p>	<p>THIS DRAWING CONFORMS TO ASME Y14.5M-1994</p> <p>UNLESS OTHERWISE SPECIFIED ALL DIMENSIONS ARE IN INCHES</p> <p>BREAK ALL DIMENSIONS TO DEPTH SHOWN UNLESS OTHERWISE SPECIFIED</p> <p>ANGLE 90° ± 0.5°</p>	<p>GEOMETRIC SYMBOLS</p> <p>CHARACTERISTIC SYMBOLS</p> <p>FINISHES</p> <p>TOLERANCES</p> <p>ASME Y14.5M-1994</p> <p>± .001</p> <p>± .0005</p> <p>± .004</p> <p>± .008</p> <p>± .015</p> <p>± .030</p> <p>± .060</p> <p>± .125</p> <p>± .250</p> <p>± .500</p> <p>± 1.000</p> <p>± 2.000</p>	<p>MATERIAL</p> <p>ALUMINUM 7075</p> <p>HEAT TREAT</p> <p>T6</p>	<p>3D</p> <p>THIRD ANGLE PROJECTION</p>	<p>TITLE</p> <p>KAD-10 RECEIVER LOWER CALIBER 7.62 NATO/.308 WIN</p>

KAD ENGINEERING

KAD-10 RECEIVER LOWER CALIBER 7.62 NATO/.308 WIN

SIZE: D

DWG NO: KAD-25

REV: A